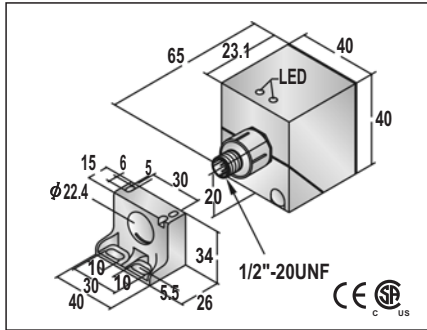


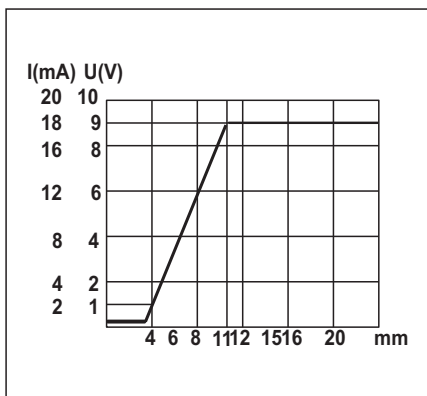
INDUCTIVE 5 WAY ROTATABLE ANALOG SENSOR

INDUCTIVE 5 WAY ROTATABLE ANALOG SENSOR

Q 40s
●
4-11mm
PBT
○



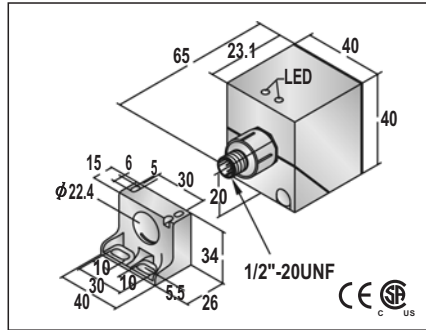
18-30VDC
<10%
15mA
0-10VDC/ $\geq 4.7K\Omega$
0-20mA/0-200
<10%(Sr)
0.02mm
0 °C-70 °C
<5%(Sr)
NO
YES
IP67
PNP-ANALOG
100Hz
-
RFI>3V/m / EFT>1KV / ESD>4KV (contact)
IEC 60947-5-2,Part 7.4.1 / IEC 60947-5-2,Part 7.4.2
PBT



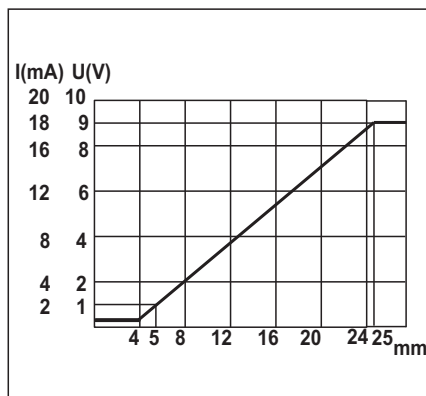
FQP1-4011G-MRS4	17
-----------------	----

approx.242g

Q 40s
○
5-25mm
PBT
○



18-30VDC
<10%
15mA
0-10VDC/ $\geq 4.7K\Omega$
0-20mA/0-200
<10%(Sr)
0.02mm
0 °C-70 °C
<5%(Sr)
NO
YES
IP67
PNP-ANALOG
30Hz
-
RFI>3V/m / EFT>1KV / ESD>4KV (contact)
IEC 60947-5-2,Part 7.4.1 / IEC 60947-5-2,Part 7.4.2
PBT



FQP2-4025G-MRS4	17
-----------------	----

approx.242g
